

**MAVIC** *Comete Pro Carbon SL TDF*

ASTM CATEGORY 1 : road only

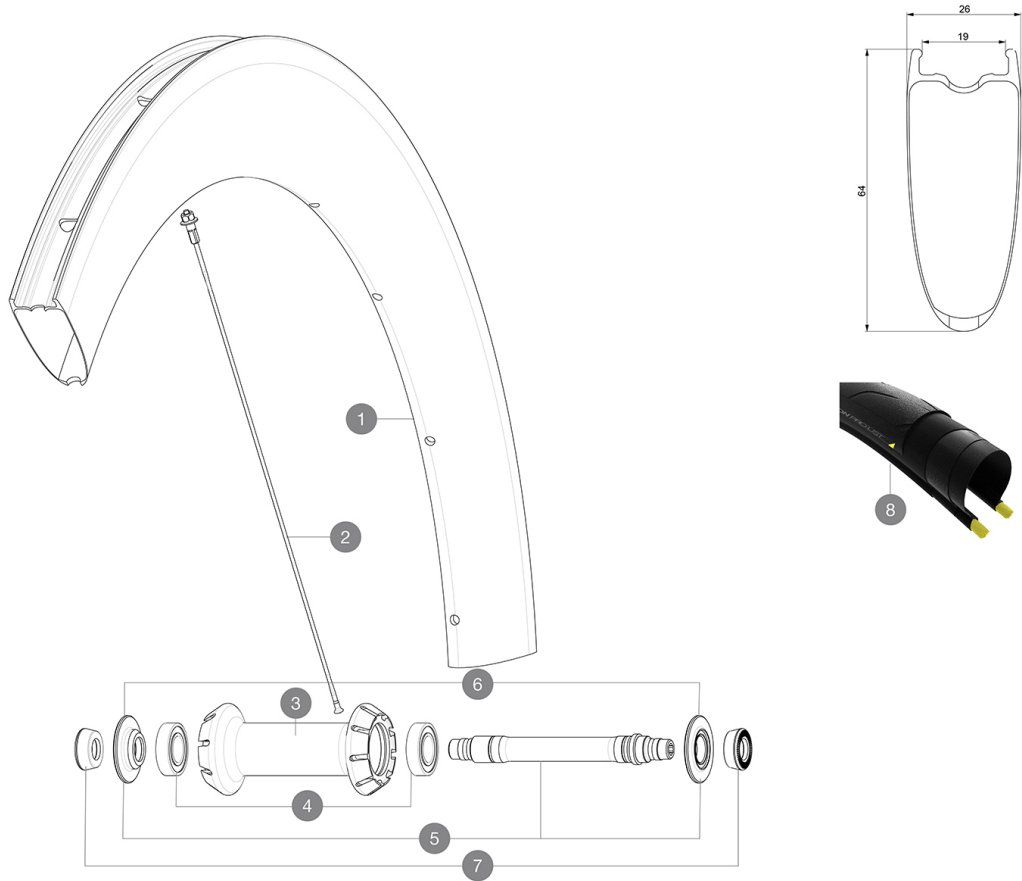
For a longer longevity of the wheel, Mavic recommends that the total weight supported by the wheels don't exceed 120kg, bike included

Recommended tyre sizes: 25 to 32 mm

Max. Pressure: see indication on wheel and tyre. If they differ, use the lower of the 2

**REFERENCES WHEELS**

F89051 ComProCarbSLUST TDF2 Ft

**RIMS**

&amp;NBSP;:

1	LV4091300	KIT FRONT RIM COMETE PRO CARBON SL UST TdF 20
	LV3720100	25mm UST Tape for 19 to 22mm Road Rims

**SPOKES**


2	LV3663100	KIT 12 FRT BUTTED AERO STAINLESS SPOKE 247 + alu nipple + wa
---	-----------	--

**HUB SHELLS**

3	N/A	HUB BODY
4	LM4007800	FRONT HUB BEARINGS 6901 x 2
5	L30870000	FRONT AXLE ROAD RIM BRAKING QRM +
6	LV2252500	FRONT SETTING NUT & DUST PROTECTOR MY16
7	L35117300	FT/RR FORK REST R-SYS/CC ULTIMATE > 2013/KSY PRO CARB T

# MAVIC Comete Pro Carbon SL TDF

## DELIVERED WITH

Mavic tyre sealant (rear wheel) (355 466 01)	
BR601 Titanium quick releases (323 485 01 frt, 323 486 01 rear)	
Tyre sealant syringe	
Carbon brake pads (V24 603 01 Shimano/Sram, V24 604 01 Campagnolo)	
UST valve and accessories (129 838 01)	
Tubeless rim tape	
Multifonction adjustment wrench (325 423 01)	
User guide	

## COMPATIBILITY

Freewheel: Shimano/Sram, convertible to Campagnolo and XD-R with optional driver bodies	
Front axle: Quick Release only	
Rear axle: Quick Release only	

## Specifications

### RIMS

- **Material** : 3K carbon fibers
  - **Height** : 64mm
  - **Drilling** : traditional
  - **Brake track** : carbon with iTgMAX technology
  - **Valve hole diameter** : 6.5 mm
  - **Tyre** : UST Tubeless and tubetype
  - **Internal width** : 19 mm
  - **ETRTO size** : 622x19TC Road
- Use with Mavic Tubeless Tape

### SPOKES

- **Material** : steel
- **Shape** : straight pull, aero, double butted
- **Nipples** : aluminum, ABS
- **Count** : front 18, rear 20
- **Lacing** : front radial, rear Isopulse

### WHEEL HUB

- **Front and rear bodies** : aluminum
- **Axle material** : aluminum
- **Front bearings** : adjustable sealed cartridge bearings (QRM+), Rear bearings auto adjust sealed cartridge bearings (QRM Auto)
- **Freewheel** : Instant Drive 360

### VERSIONS

- **Color** : Black only

### WHEEL WEIGHTS

740