

# MAVIC Ksyrium Pro Carbon SL Disc TDF

ASTM CATEGORY 1 : road only

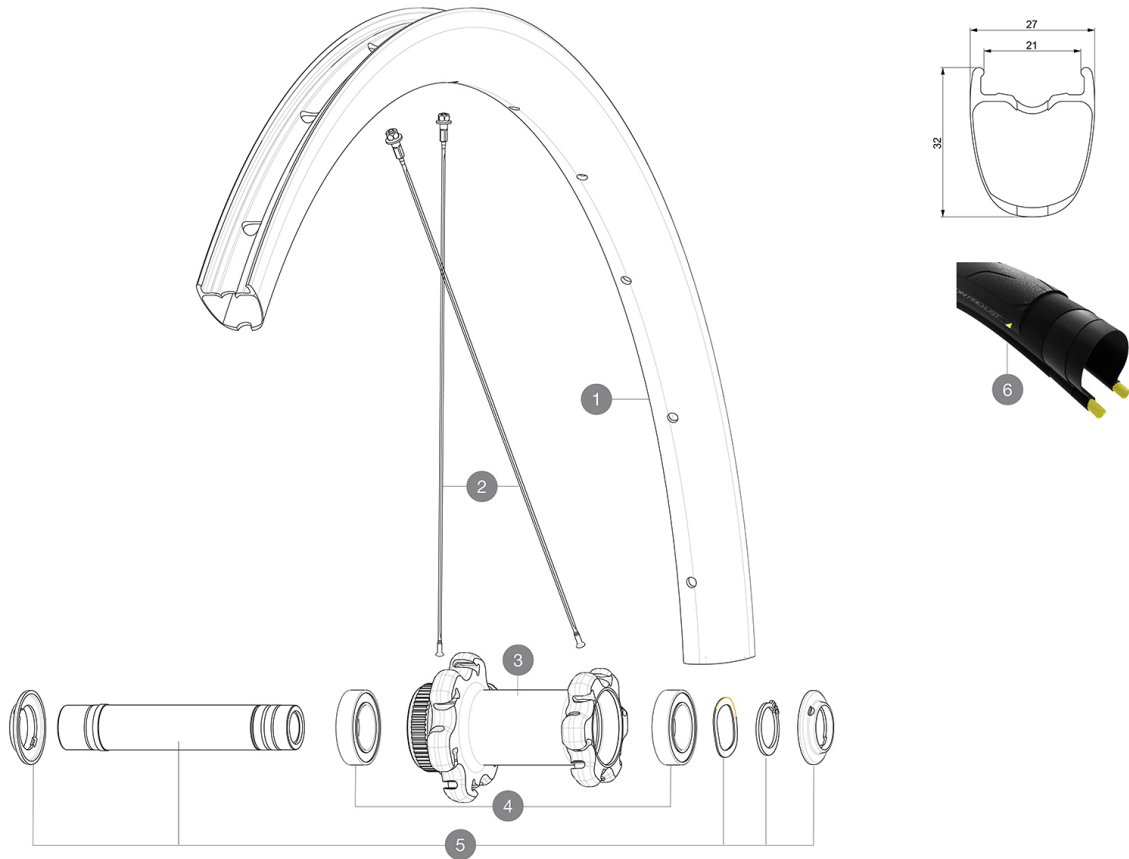
For a longer longevity of the wheel, Mavic recommends that the total weight supported by the wheels don't exceed 120kg, bike included

Recommended tyre sizes: 25 to 32 mm

Max. Pressure: see indication on wheel and tyre. If they differ, use the lower of the 2

## REFERENCES WHEELS

F89151 KsyProCarbSLUST DCL TDF2 Ft



## RIMS



&NBSP;:

1	LV4090400 LV2620100	KIT FRONT RIM KSYRIUM PRO CARBON UST DISC TdF 20 / KSYRIUM P UST RIM TAPE 25mm (for 21-24mm wide rim)
---	------------------------	--


## SPOKES

2	LV3666300	KIT 12 FRT/NDS BUTTED AERO STAINLESS SPOKE 283 KSYRIUM PRO C
---	-----------	--

## HUB SHELLS

3	N/A	HUB BODY
4	LV2500900	KIT BEARINGS 18x30x7 + WAVED WASHER + CLIP
5	LV2374100	KIT QRM AUTO FRONT L3 AXLE 100x12mm DCL - while stock last
5	LV2374000	KIT 12x100mm FRONT AXLE DCL QRM AUTO ALLROAD > 2019

**DELIVERED WITH**

Mavic tyre sealant (rear wheel) (355 466 01)	
Tyre sealant syringe	
Front QR adapters (996 941 01 for MTB or B41 043 01 for road)	
Rear QR adapters for Instant Drive 360 (B49 894 01)	
UST valve and accessories (129 838 01)	
Tubeless rim tape	
User guide	

**COMPATIBILITY**

Freewheel: Shimano/Sram, convertible to Campagnolo and XD-R with optional driver bodies	
Front axle: 12mm thru axle, easily convertible to quick release with included adapters. Convertible to 15mm with complete axle replacement	
Rear axle: 12mm thru axle, convertible to Quick Release with included adapters	

**Specifications****RIMS**

- **Material** : 3K carbon fibers
  - **Height** : 32mm
  - **Drilling** : traditional
- Disc brake specific profile
- **Valve hole diameter** : 6.5 mm
  - **Tyre** : UST Tubeless and tubetype
  - **Internal width** : 21 mm
  - **ETRTO size** : 622x21TC ROAD
- Use with Mavic Tubeless Tape

**SPOKES**

- **Material** : steel
- **Shape** : straight pull, aero, double butted
- **Nipples** : aluminum, ABS
- **Count** : 24 front and rear
- **Lacing** : front crossed 2, rear Isopulse

**WHEEL HUB**

- **Front and rear bodies** : aluminum
  - **Axle material** : aluminum
- Auto adjust sealed cartridge bearings (QR Auto), front and rear
- **Freewheel** : Instant Drive 360
  - **Front** : Quick release, 12x100 and 15x100 through axle compatible
  - **Rear** : Quick Release, 12x142 and 12x135 compatible

**VERSIONS**

- **Color** : Black only
- **Disc standard** : Center Lock(R) only

**WHEEL WEIGHTS**

685