

**MAVIC** *Cosmic Pro Carbon Disc TDF*

ASTM CATEGORY 1 : road only

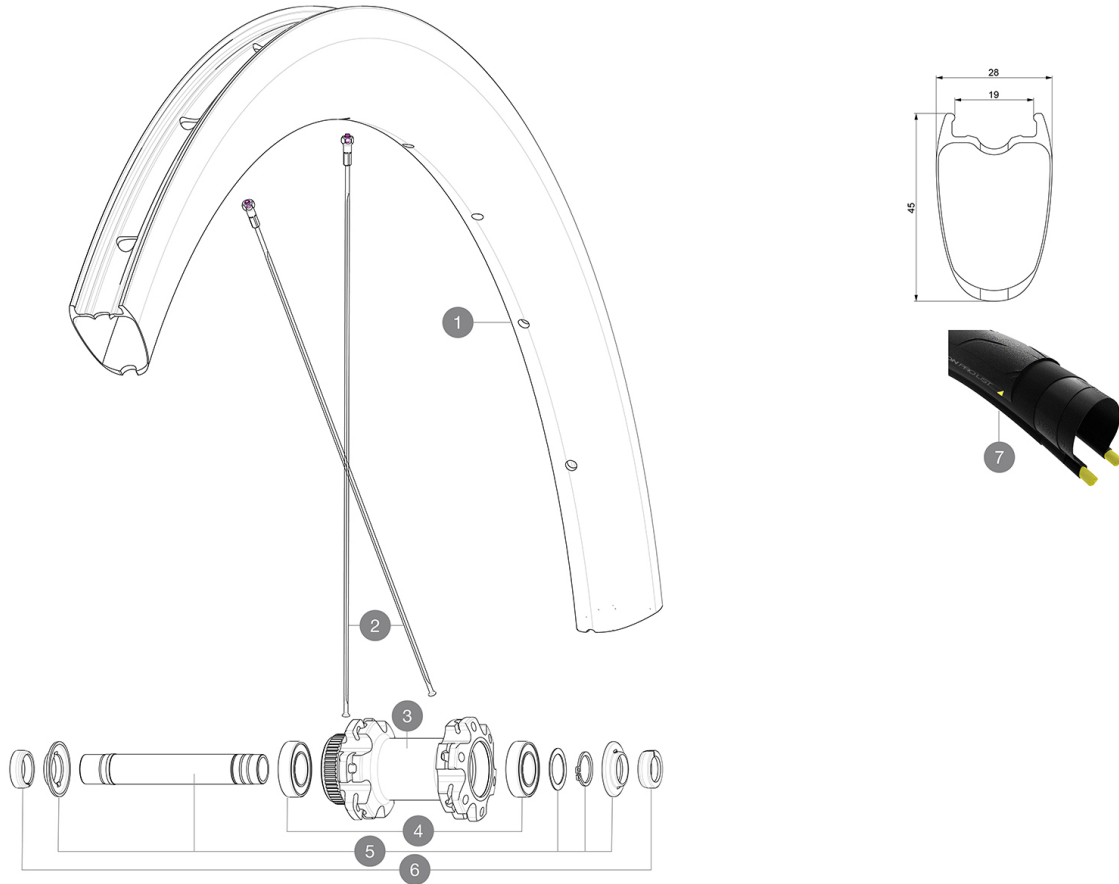
For a longer longevity of the wheel, Mavic recommends that the total weight supported by the wheels don't exceed 120kg, bike included

Recommended tyre sizes: 25 to 32 mm

Max. Pressure: see indication on wheel and tyre. If they differ, use the lower of the 2

**REFERENCES WHEELS**

F89391 CosProCarb UST DCL TDF2 Ft

**RIMS**

&amp;NBSP;:

1	LV4091000	KIT FRONT RIM COSMIC PRO CARBON UST DISC Tdf 20
	LV2620100	UST RIM TAPE 25mm (for 21-24mm wide rim)

**SPOKES**


2	LV4161200	Kit 12 Front/Rear non Drive Side Stainless Spokes 273 Cosmic
2	LV3665900	KIT 12 FRT/NDS COSMIC PRO CARBON UST Disc SPOKE 273 + nipple

**HUB SHELLS**

3	N/A	HUB BODY
4	LM4012900	KIT 2 BEARINGS 6902 15x28x7
5	LV2373300	KIT QRM AUTO FRONT AXLE 12mm > 2019
6	LV2680500	12mm Road Axle Cap QRM Auto

# MAVIC Cosmic Pro Carbon Disc TDF

## DELIVERED WITH

Mavic tyre sealant (rear wheel) (355 466 01)	
Tyre sealant syringe	
Front QR adapters (996 941 01 for MTB or B41 043 01 for road)	
Rear QR adapters for Instant Drive 360 (B49 894 01)	
UST valve and accessories (129 838 01)	
Tubeless rim tape	
User guide	

## COMPATIBILITY

Freewheel: Shimano/Sram, convertible to Campagnolo and XD-R with optional driver bodies	
Front axle: 12x100 thru axle, easily convertible to quick release with included adapters. Not compatible with 15mm through axles.	
Rear axle: 12mm thru axle, convertible to Quick Release with included adapters	

## Specifications

### RIMS

- **Material** : 3K carbon fibers
- **Height** : 45 mm
- **Drilling** : traditional  
Disc brake specific profile
- **Valve hole diameter** : 6.5 mm
- **Tyre** : UST Tubeless and tubetype
- **Internal width** : 19 mm
- **ETRTO size** : 622x19TC Road  
Use with Mavic Tubeless Tape

### SPOKES

- **Material** : steel
- **Shape** : straight pull, flat
- **Nipples** : steel, ABS
- **Count** : 24 front and rear
- **Lacing** : front and rear crossed 2

### WHEEL HUB

- **Front and rear bodies** : aluminum
- **Axle material** : aluminum  
Auto adjust sealed cartridge bearings (QR Auto), front and rear
- **Freewheel** : Instant Drive 360
- **Front** : Quick release and 12x100 through axle compatible
- **Rear** : Quick Release, 12x142 and 12x135 compatible

### VERSIONS

- **Color** : Black only
- **Disc standard** : Center Lock(R) only

### WHEEL WEIGHTS

780