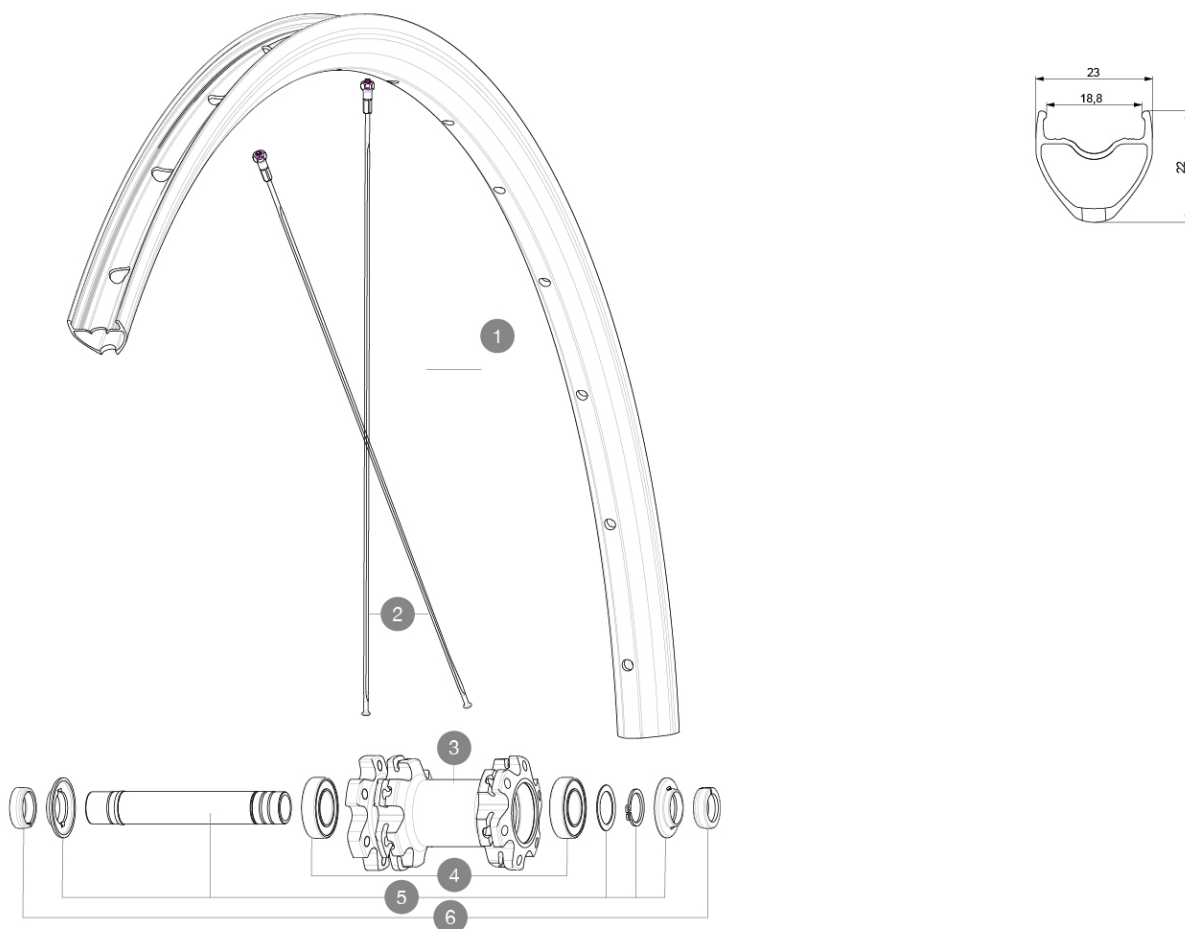


REFERENCES WHEELS

F91901 AksEI EvoUST DCL EBM MPH Ft

F91911 AksEI EvoUST Int EBM Ft RIBBLE



RIMS



&NBSP;:

- | | | |
|---|-----------|--|
| 1 | LV4080100 | KIT FRONT/REAR RIM AKSIUM ELITE UST DISC 19/20 |
| | LV2620100 | UST RIM TAPE 25mm (for 21-24mm wide rim) |

SPOKES

- | | | |
|---|-----------|--|
| 2 | LV3664500 | KIT 12 FRT/NDS AKSIUM ELITE UST Disc/KSYRIUM UST Disc FLAT S |
|---|-----------|--|

HUB SHELLS

- | | | |
|---|-----------|-------------------------------------|
| 4 | LM4012900 | KIT 2 BEARINGS 6902 15x28x7 |
| 5 | LV2373300 | KIT QRM AUTO FRONT AXLE 12mm > 2019 |
| 6 | LV2680500 | 12mm Road Axle Cap QRM Auto |



Aksium Elite Evo UST Disc EBM

Specifications

WHEEL WEIGHTS