

# MAVIC Allroad Pro Carbon SL

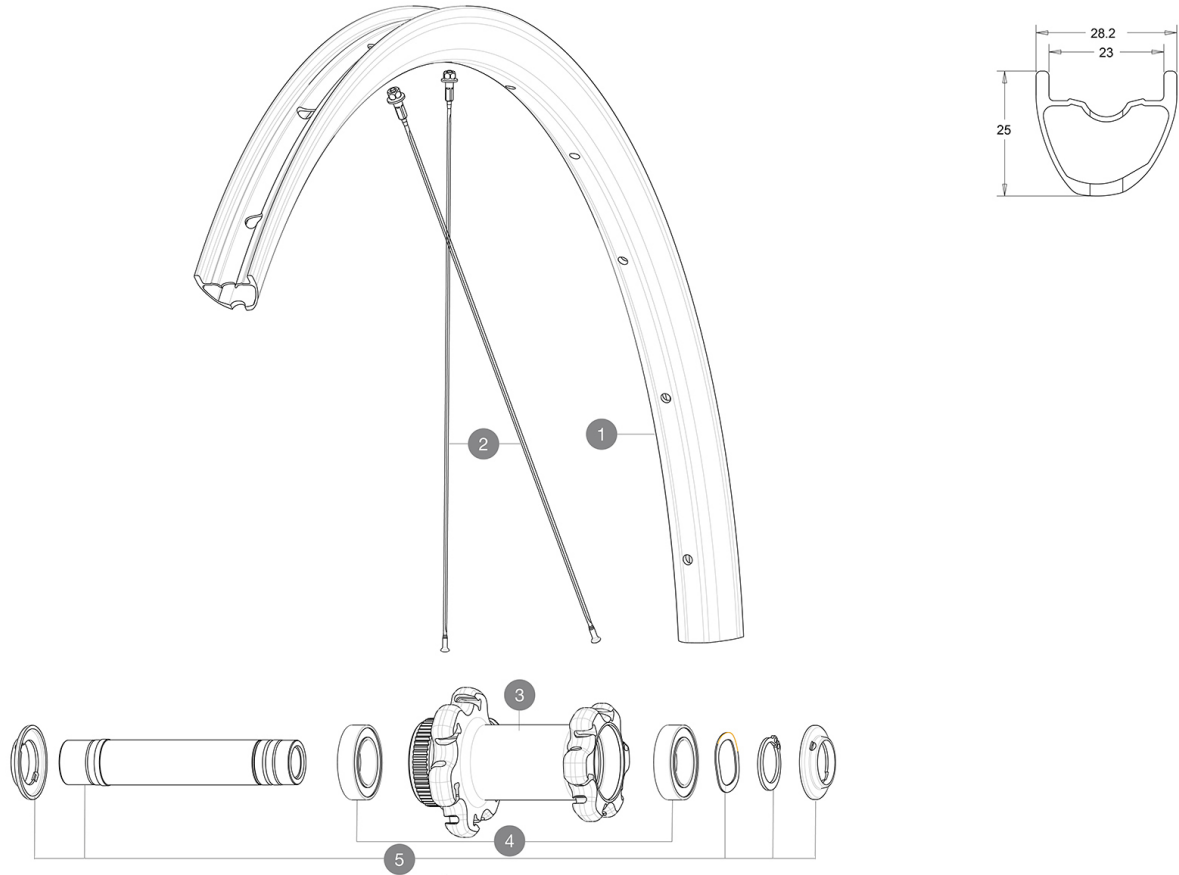
## REFERENZE RUOTE

ASTM CATEGORY 2 : road and offroad with jumps less than 15cm

For a longer longevity of the wheel, Mavic recommends that the total weight supported by the wheels doesn't exceed 120kg, bike included

Recommended tyre sizes: 28 to 64 mm (1.1" to 2.5")

Max. Pressure: see indication on wheel and tyre. If they differ, use the lowest of the 2



## RIMS



&NBSP;:

1	LV2738900	KIT FRONT RIM ALLROAD PRO CARBON SL -while stock last
1	LV4092400	Kit Front rim EBM Allroad Pro Carbon SL
	LV2620100	UST RIM TAPE 25mm (for 21-24mm wide rim)

## SPOKES

2	LV3668300	Kit 2 FRONT/NDS Allroad Pro Carbon SL stamped spoke 291 + al
2	LV3821800	KIT 12 FRT/REAR CROSSMAX PRO CARBON 29" EXTRA FLAT SPOKE 29

## HUB SHELLS

3	N/A	CORPO MOZZO
4	LV2500900	KIT BEARINGS 18x30x7 + WAVED WASHER + CLIP
5	LV2374100	KIT QRM AUTO FRONT L3 AXLE 100x12mm DCL - while stock last
5	LV2374000	KIT 12x100mm FRONT AXLE DCL QRM AUTO ALLROAD > 2019

# MAVIC Allroad Pro Carbon SL

## VENDUTO CON

Mavic tyre sealant (rear wheel) (355 466 01)	
Tyre sealant syringe	
Front QR adapters (996 941 01 for MTB or B41 043 01 for road)	
Rear QR adapters for Instant Drive 360 (B49 894 01)	
UST valve and accessories (129 838 01)	
User guide	

## COMPATIBILITY

Freewheel: Shimano/Sram, convertible to Campagnolo and XD-R with optional driver bodies	
Front axle: 12mm thru axle, easily convertible to quick release with included adapters. Convertible to 15mm with complete axle replacement	
Rear axle: 12mm thru axle, convertible to Quick Release with included adapters	

## Specifications

### CERCHIONI

- **Material** : 100% Unidirectional carbon fiber
- **Height** : 25mm
- **Drilling** : traditional  
Disc brake specific profile
- **Valve hole diameter** : 6.5 mm
- **Tire** : UST Tubeless and tubetype
- **Internal width** : 23 mm
- **ETRTO size** : 622x23TSS Road  
Hookless profile  
Use with Mavic Tubeless Tape  
UST Tubeless Ready

### RAGGI

- **Material** : steel
- **Shape** : straight pull, flat, double butted
- **Nipples** : aluminum, ABS
- **Count** : 24 front and rear
- **Lacing** : front crossed 2, rear Isopulse  
Isopulse

### MOZZO

- **Front and rear bodies** : aluminum
- **Axle material** : aluminum
- **Front** : Quick release, 12x100 and 15x100 through axle compatible
- **Rear** : Quick Release, 12x142 and 12x135 compatible  
Instant Drive 360  
QRM Auto

### VERSIONS

- **Color** : Black only
- **Disc standard** : Center Lock (R) only

### PESI RUOTE

670