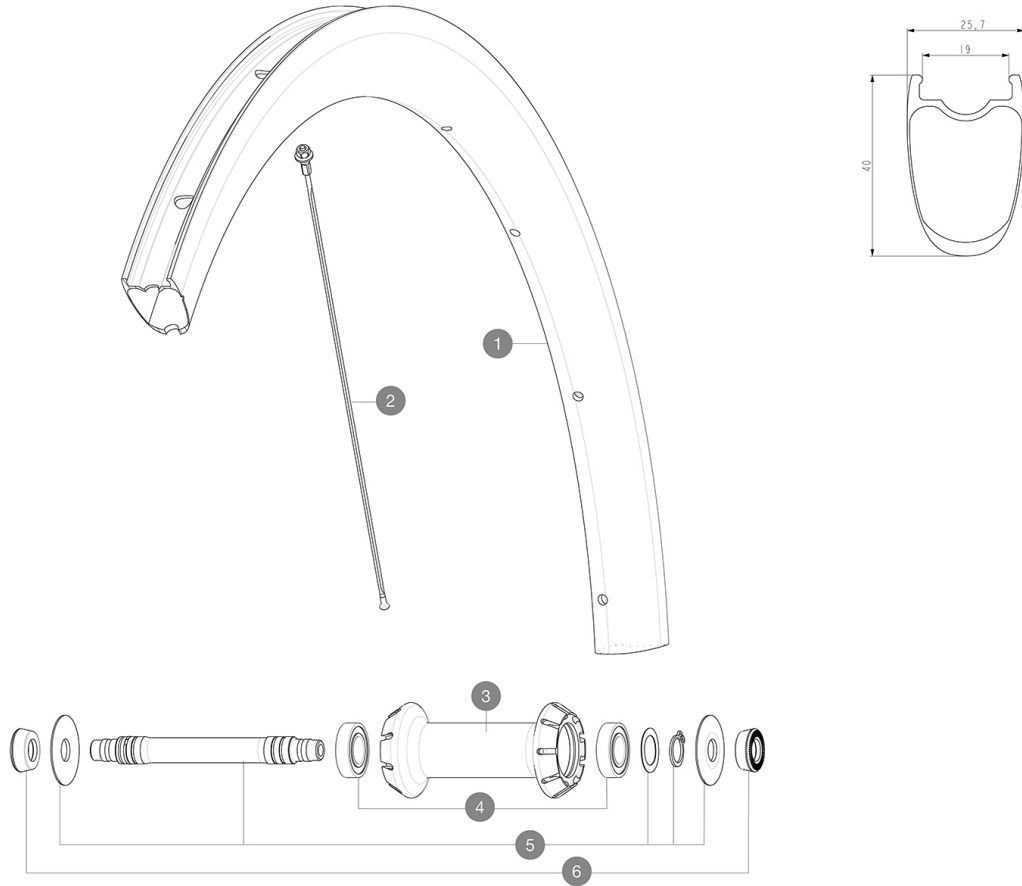


ASTM CATEGORY 1 : road only  
 For a longer longevity of the wheel, Mavic recommends that the total weight supported by the wheels doesn't exceed 120kg, bike included  
 Recommended tyre sizes: 25 to 32 mm  
 Max. Pressure: see indication on wheel and tyre. If they differ, use the lowest of the 2

## REFERENCES WHEELS

F90201 Cosmic SL 40 Ft



## RIMS



&NBSP;:

1	LV4092600	Kit Front rim Cosmic SL 40 RB
	LV3720100	25mm UST Tape for 19 to 22mm Road Rims

## SPOKES

2	LV4163000	Kit 9 front Cosmic SL 40 RB butted stainless spoke 271mm + s
---	-----------	--

## HUB SHELLS

3	N/A	HUB BODY
4	LM4007800	FRONT HUB BEARINGS 6901 x 2
5	LV2375800	Kit front axle RB for QRM auto hub + hoobster + wave washer
6	L35117300	FT/RR FORK REST R-SYS/CC ULTIMATE > 2013/KSY PRO CARB T

# MAVIC Cosmic SL 40

2021  
FRONT

## DELIVERED WITH

BR301 quick releases (V24 501 01 frt, V24 502 01 rear)	
Carbon brake pads (V24 603 01 Shimano/Sram, V24 604 01 Campagnolo)	
UST valve and accessories (129 838 01)	
Pre-installed tubeless rim tape	
User guide	

## COMPATIBILITY

Freewheel: Shimano/Sram, convertible to Campagnolo and XD-R with optional driver bodies	
Front axle: Quick Release only	
Rear axle: Quick Release only	

## Specifications

### RIMS

- **Material** : 100% carbon fiber
  - **Height** : 40 mm
  - **Drilling** : traditional
  - **Tire** : UST Tubeless and tubetype
  - **Internal width** : 19 mm
  - **ETRTO size** : 622x19TC Road
- Use with Mavic Tubeless Tape  
UST  
iTgMAX

### SPOKES

- **Material** : steel
- **Shape** : straight pull, flat, double butted
- **Nipples** : aluminum, ABS
- **Count** : front 18, rear 20
- **Lacing** : front crossed 2, rear Isopulse Isopulse

### WHEEL HUB

- **Front and rear bodies** : aluminum
  - **Axle material** : aluminum
- Infinity Hub  
Instant Drive 360  
QRM Auto

### VERSIONS

- **Freewheel** : Shimano/Sram

### WHEEL WEIGHTS

705