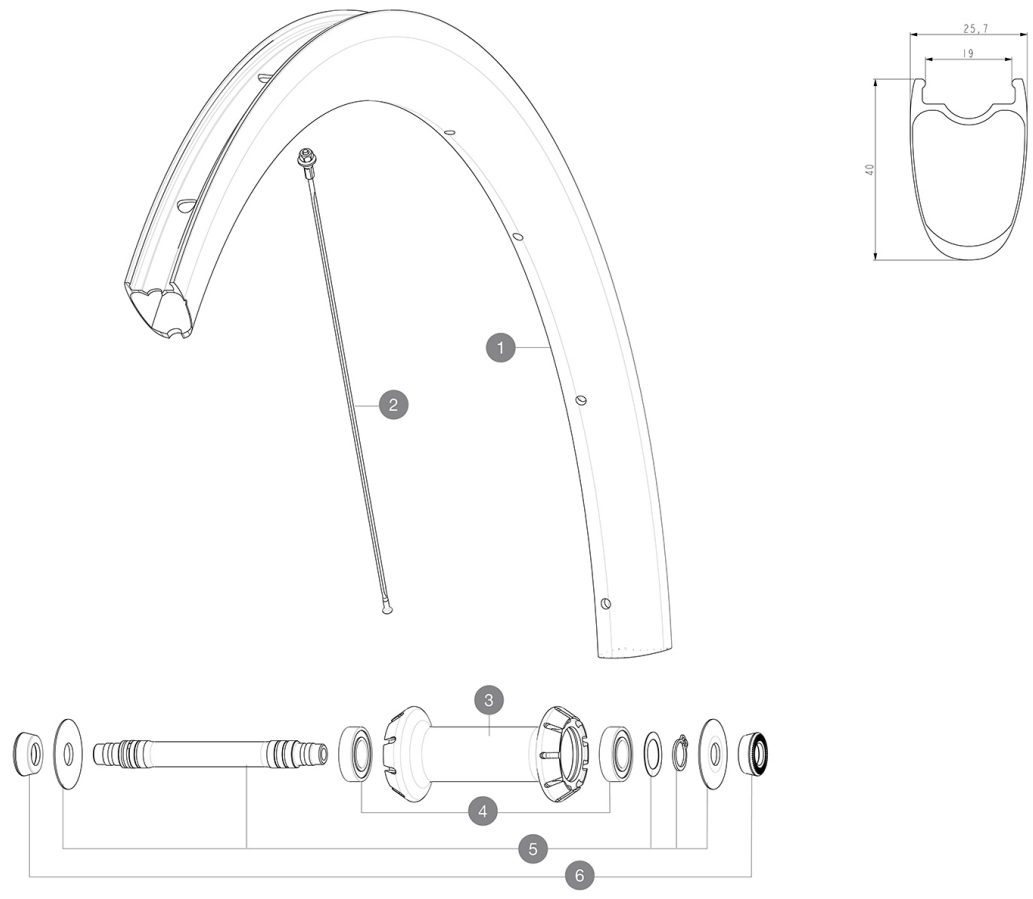


MAVIC Cosmic SL 40

RUEDAS REFERENCIAS

F90201 Cosmic SL 40 Ft

ASTM CATEGORY 1 : road only
 For a longer longevity of the wheel, Mavic recommends that the total weight supported by the wheels doesn't exceed 120kg, bike included
 Recommended tyre sizes: 25 to 32 mm
 Max. Pressure: see indication on wheel and tyre. If they differ, use the lowest of the 2



RIMS



1	LV4092600	Kit Front rim Cosmic SL 40 RB
	LV3720100	25mm UST Tape for 19 to 22mm Road Rims

SPOKES

2	LV4163000	Kit 9 front Cosmic SL 40 RB butted stainless spoke 271mm + s
---	-----------	--

HUB SHELLS

3	N/A	CUERPO DE BUJE
4	LM4007800	FRONT HUB 6901 BEARINGS
5	LV2375800	Kit front axle RB for QRM auto hub + hoobster + wave washer
6	L35117300	FRONT OR REAR FORK REST KIT R-SYS 2013

MAVIC Cosmic SL 40

2021
FRONT

ENTREGADO CON

BR301 quick releases (V24 501 01 frt, V24 502 01 rear)	
Carbon brake pads (V24 603 01 Shimano/Sram, V24 604 01 Campagnolo)	
UST valve and accessories (129 838 01)	
Pre-installed tubeless rim tape	
User guide	

COMPATIBILITY

Freewheel: Shimano/Sram, convertible to Campagnolo and XD-R with optional driver bodies	
Front axle: Quick Release only	
Rear axle: Quick Release only	

Specifications

LLANTAS

- **Material** : 100% carbon fiber
 - **Height** : 40 mm
 - **Drilling** : traditional
 - **Tire** : UST Tubeless and tubetype
 - **Internal width** : 19 mm
 - **ETRTO size** : 622x19TC Road
- Use with Mavic Tubeless Tape
UST
iTgMAX

RADIOS

- **Material** : steel
 - **Shape** : straight pull, flat, double butted
 - **Nipples** : aluminum, ABS
 - **Count** : front 18, rear 20
 - **Lacing** : front crossed 2, rear Isopulse
- Isopulse

BUJE DE LA RUEDA

- **Front and rear bodies** : aluminum
 - **Axle material** : aluminum
- Infinity Hub
Instant Drive 360
QRM Auto

VERSIONS

- **Freewheel** : Shimano/Sram

PESOS DE RUEDAS

705