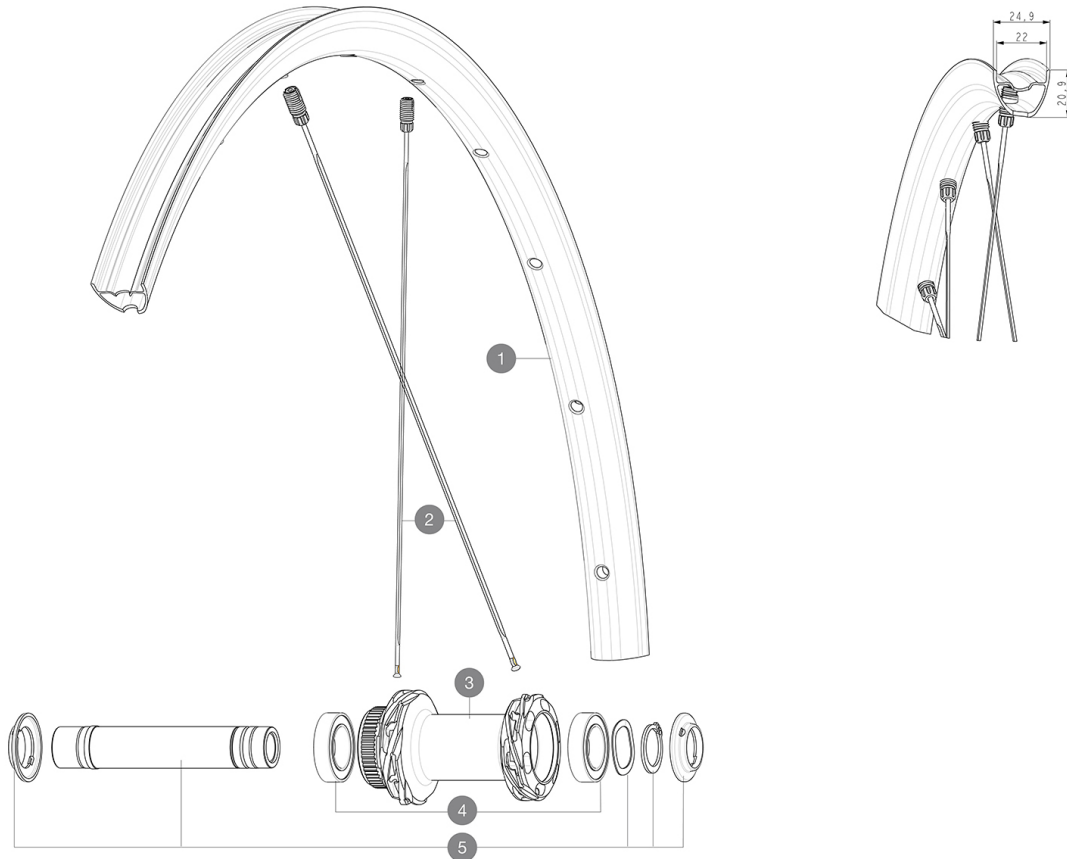


ASTM CATEGORY 2 : road and offroad with jumps less than 15cm  
 For a longer longevity of the wheel, Mavic recommends that the total weight supported by the wheels doesn't exceed 120kg, bike included  
 Recommended tyre sizes: 25 to 32 mm  
 Max. Pressure: see indication on wheel and tyre. If they differ, use the lowest of the 2

## REFERENCES WHEELS

F90221 Allroad S DCL Ft



### RIMS



&NBSP;:

1 LV4092100 Kit Front/Rear rim Allroad S

### SPOKES

2 LV4162600 Kit 12 Front/Rear Allroad S flat spoke 298 M7/7

### HUB SHELLS

3 N/A HUB BODY  
 4 LV2500900 KIT BEARINGS 18x30x7 + WAVED WASHER + CLIP  
 5 LV2374000 KIT 12x100mm FRONT AXLE DCL QRM AUTO ALLROAD > 2019

**DELIVERED WITH**

UST valve and accessories (129 838 01)	
User guide	

**COMPATIBILITY**

Freewheel: Shimano/Sram, convertible to Campagnolo and XD-R with optional driver bodies	
Front axle: 12mm thru axle, easily convertible to quick release with included adapters. Convertible to 15mm with complete axle replacement	
Rear axle: 12mm thru axle, convertible to Quick Release with included adapters	

**Specifications**
**RIMS**

- **Material** : Maxtal
  - **Height** : 22 mm
- Disc brake specific profile
- **Tire** : UST Tubeless and tubetype
  - **Internal width** : 22 mm
  - **ETRTO size** : 622x22TSS ROAD

Hookless profile

Fore

UST

SUP

**SPOKES**

- **Material** : steel
- **Shape** : straight pull, flat, double butted
- **Shape** : straight pull, elliptical aero, double butted (patented)
- **Nipples** : Fore integrated aluminum
- **Count** : 24 front and rear
- **Lacing** : front and rear crossed 2, contactless

**WHEEL HUB**

- **Front and rear bodies** : aluminum
  - **Axle material** : aluminum
  - **Front** : Quick release, 12x100 and 15x100 through axle compatible
  - **Rear** : Quick Release, 12x142 and 12x135 compatible
- Infinity Hub  
Instant Drive 360  
QRM Auto

**VERSIONS**

- **Disc standard** : Center Lock (R) only
- **Freewheel** : Shimano/Sram or XD-Road

**WHEEL WEIGHTS**

830