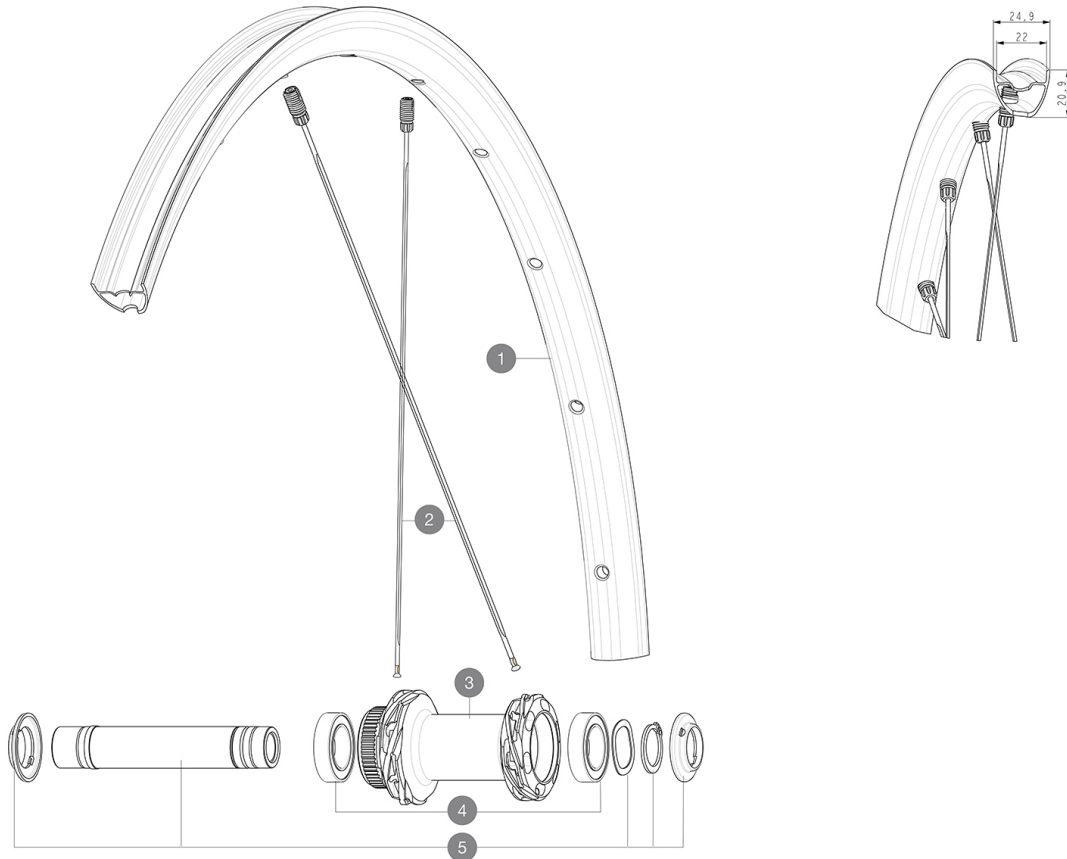


REFERENCES WHEELS

F90221 Allroad S DCL Ft

ASTM CATEGORY 2 : road and offroad with jumps less than 15cm
For a longer longevity of the wheel, Mavic recommends that the total weight supported by the wheels doesn't exceed 120kg, bike included
Recommended tyre sizes: 25 to 32 mm
Max. Pressure: see indication on wheel and tyre. If they differ, use the lowest of the 2



RIMS



&NBSP;:

1 LV4092100 Kit Front/Rear rim Allroad S

SPOKES

2 LV4162600 Kit 12 Front/Rear Allroad S flat spoke 298 M7/7

HUB SHELLS

3 N/A HUB BODY
4 LV2500900 KIT BEARINGS 18x30x7 + WAVED WASHER + CLIP
5 LV2374000 KIT 12x100mm FRONT AXLE DCL QRM AUTO ALLROAD > 2019

DELIVERED WITH

UST valve and accessories (129 838 01)	
User guide	

COMPATIBILITY

Freewheel: Shimano/Sram, convertible to Campagnolo and XD-R with optional driver bodies	
Front axle: 12mm thru axle, easily convertible to quick release with included adapters. Convertible to 15mm with complete axle replacement	
Rear axle: 12mm thru axle, convertible to Quick Release with included adapters	

Specifications

RIMS

- **Material** : Mxtral
 - **Height** : 22 mm
- Disc brake specific profile
- **Tire** : UST Tubeless and tubetype
 - **Internal width** : 22 mm
 - **ETRTO size** : 622x22TSS ROAD

Hookless profile

Fore

UST

SUP

SPOKES

- **Material** : steel
- **Shape** : straight pull, flat, double butted
- **Shape** : straight pull, elliptical aero, double butted (patented)
- **Nipples** : Fore integrated aluminum
- **Count** : 24 front and rear
- **Lacing** : front and rear crossed 2, contactless

WHEEL HUB

- **Front and rear bodies** : aluminum
 - **Axle material** : aluminum
 - **Front** : Quick release, 12x100 and 15x100 through axle compatible
 - **Rear** : Quick Release, 12x142 and 12x135 compatible
- Infinity Hub
Instant Drive 360
QRM Auto

VERSIONS

- **Disc standard** : Center Lock (R) only
- **Freewheel** : Shimano/Sram or XD-Road

WHEEL WEIGHTS

830