

MAVIC Allroad S

ASTM CATEGORY 2 : road and offroad with jumps less than 15cm

For a longer longevity of the wheel, Mavic recommends that the total weight supported by the wheels doesn't exceed 120kg, bike included

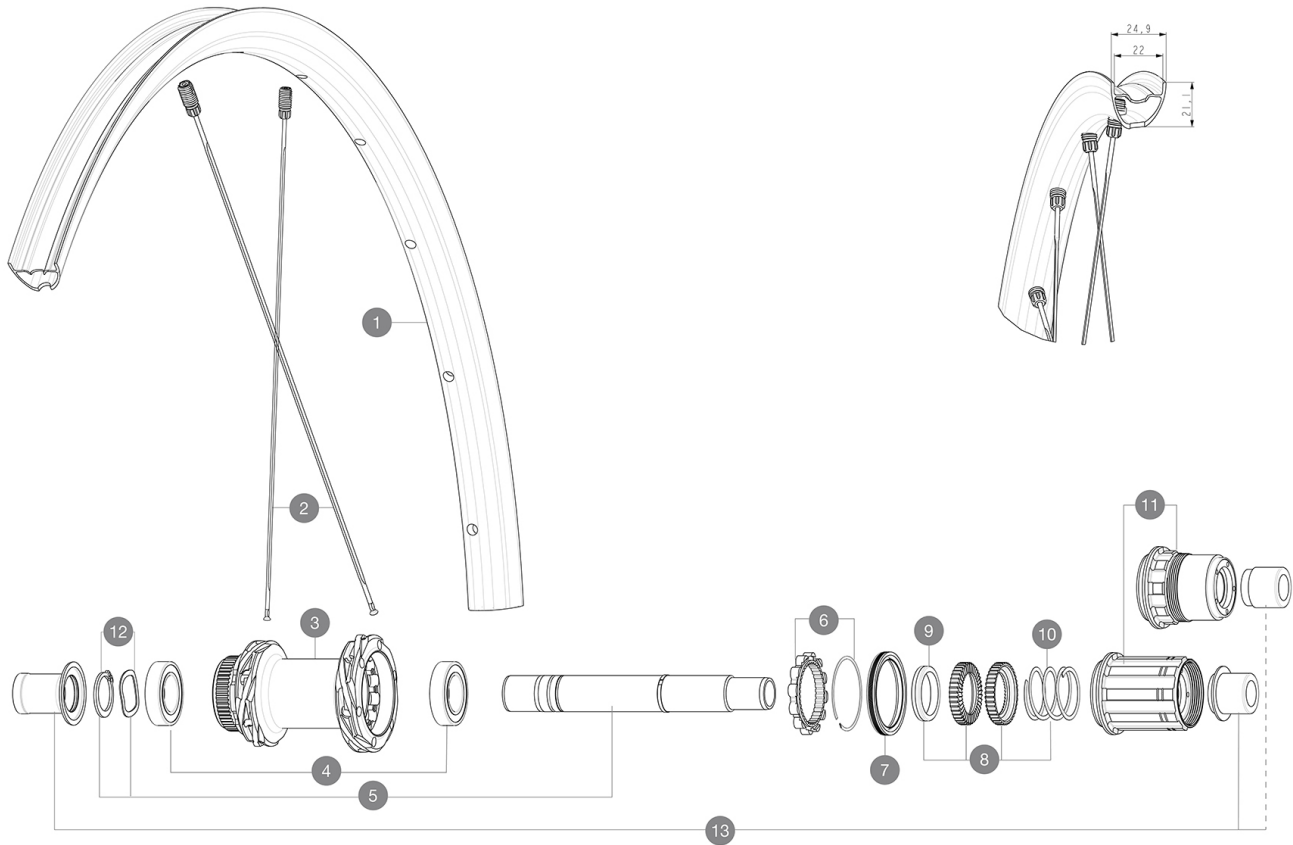
Recommended tyre sizes: 25 to 32 mm

Max. Pressure: see indication on wheel and tyre. If they differ, use the lowest of the 2

REFERENCES WHEELS

R36751 Allroad S DCL Rr

R38891 Allroad S DCL Rr XDR



RIMS



&NBSP::

1 LV4092100 Kit Front/Rear rim Allroad S

SPOKES

2 LV4162600 Kit 12 Front/Rear Allroad S flat spoke 298 M7/7

HUB SHELLS

3	N/A	HUB BODY
4	LM4007600	HUB BEARINGS 17x30x7 6903 x 2
5	LV2373400	KIT ID360 135/142 DCL L1 AXLE WITH CLIP
6	LV2252700	KIT ID360 INSERT SHAPED EAR LOBE > 2017
7	LV2251600	KIT ID360 SEAL + GREASE
8	LV2251700	KIT ID360 2 RATCHETS + SPRING + GREASE
9	LV2500500	KIT ID360 3 PADS NOISE REDUCING
10	LV2251800	KIT 3 ID360 ROAD SPRINGS
11	LV3430100	HG11 Freewheel Body ID360
11	LV2580100	FREEHUB BODY XD Road ID360
12	LV2373000	KIT ADJUST. SYSTEM QRM AUTO ID360 for 17x30x7 bearing
13	LV2510700	ID360V2RrAxleAdapt12x142/148

DELIVERED WITH

UST valve and accessories (129 838 01)	
User guide	

COMPATIBILITY

Freewheel: Shimano/Sram, convertible to Campagnolo and XD-R with optional driver bodies	
Front axle: 12mm thru axle, easily convertible to quick release with included adapters. Convertible to 15mm with complete axle replacement	
Rear axle: 12mm thru axle, convertible to Quick Release with included adapters	

Specifications
RIMS

- **Material** : Maxtal
 - **Height** : 22 mm
- Disc brake specific profile
- **Tire** : UST Tubeless and tubetype
 - **Internal width** : 22 mm
 - **ETRTO size** : 622x22TSS ROAD

Hookless profile

Fore

UST

SUP

SPOKES

- **Material** : steel
- **Shape** : straight pull, flat, double butted
- **Shape** : straight pull, elliptical aero, double butted (patented)
- **Nipples** : Fore integrated aluminum
- **Count** : 24 front and rear
- **Lacing** : front and rear crossed 2, contactless

WHEEL HUB

- **Front and rear bodies** : aluminum
 - **Axle material** : aluminum
 - **Front** : Quick release, 12x100 and 15x100 through axle compatible
 - **Rear** : Quick Release, 12x142 and 12x135 compatible
- Infinity Hub
Instant Drive 360
QRM Auto

VERSIONS

- **Disc standard** : Center Lock (R) only
- **Freewheel** : Shimano/Sram or XD-Road

WHEEL WEIGHTS

935