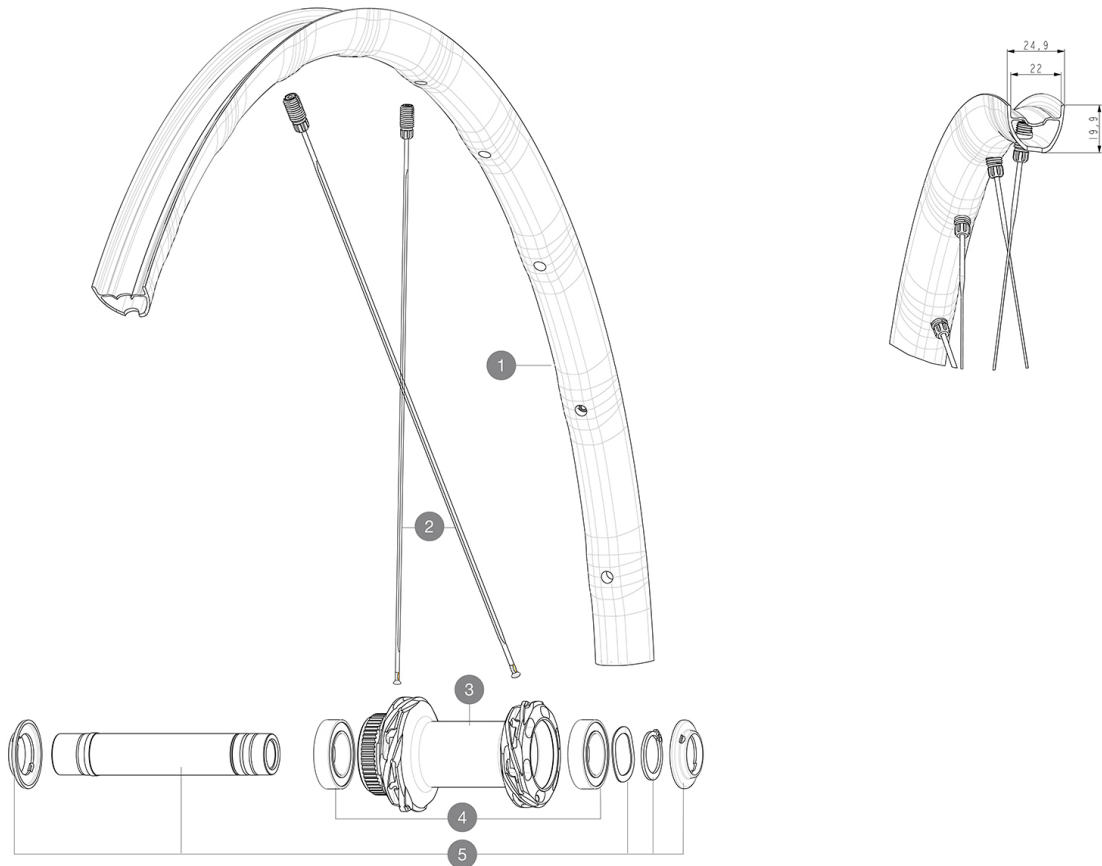


ASTM CATEGORY 2 : road and offroad with jumps less than 15cm
 For a longer longevity of the wheel, Mavic recommends that the total weight supported by the wheels doesn't exceed 120kg, bike included
 Recommended tyre sizes: 25 to 32 mm
 Max. Pressure: see indication on wheel and tyre. If they differ, use the lowest of the 2

RUEDAS REFERENCIAS

F90331 Allroad SL DCL Ft



RIMS



&NBSP;:

1	LV4092000	Kit Front/Rear rim Allroad SL
---	-----------	-------------------------------

SPOKES

2	LV4162500	Kit 12 Front/Rear Allroad SL aero spoke 298 M7/7
---	-----------	--

HUB SHELLS

3	N/A	CUERPO DE BUJE
4	LV2500900	KIT BEARINGS 18x30x7 + WAVED WASHER + CLIP
5	LV2374000	KIT 12x100mm FRONT AXLE DCL QRM AUTO ALLROAD > 2019

ENTREGADO CON

UST valve and accessories (129 838 01)	
User guide	

COMPATIBILITY

Freewheel: Shimano/Sram, convertible to Campagnolo and XD-R with optional driver bodies	
Front axle: 12mm thru axle, easily convertible to quick release with included adapters. Convertible to 15mm with complete axle replacement	
Rear axle: 12mm thru axle, convertible to Quick Release with optional adapters	

Specifications
LLANTAS

- **Material** : Maxtal
 - **Height** : 22 mm
- Disc brake specific profile
- **Weight reduction** : ISM 4D
 - **Tire** : UST Tubeless and tubetype
 - **Internal width** : 22 mm
 - **ETRTO size** : 622x22TSS ROAD
- Hookless profile
Fore
UST
SUP

RADIOS

- **Material** : steel
- **Shape** : straight pull, elliptical aero, double butted (patented)
- **Nipples** : Fore integrated aluminum
- **Count** : 24 front and rear
- **Lacing** : front and rear crossed 2, contactless

BUJE DE LA RUEDA

- **Front and rear bodies** : aluminum
 - **Axle material** : aluminum
 - **Front** : Quick release, 12x100 and 15x100 through axle compatible
 - **Rear** : Quick Release, 12x142 and 12x135 compatible
- Infinity Hub
Instant Drive 360
QRM Auto

VERSIONS

- **Disc standard** : Center Lock (R) only
- **Freewheel** : Shimano/Sram or XD-Road

PESOS DE RUEDAS

740