

**MAVIC** Allroad SL

ASTM CATEGORY 2 : road and offroad with jumps less than 15cm

For a longer longevity of the wheel, Mavic recommends that the total weight supported by the wheels doesn't exceed 120kg, bike included

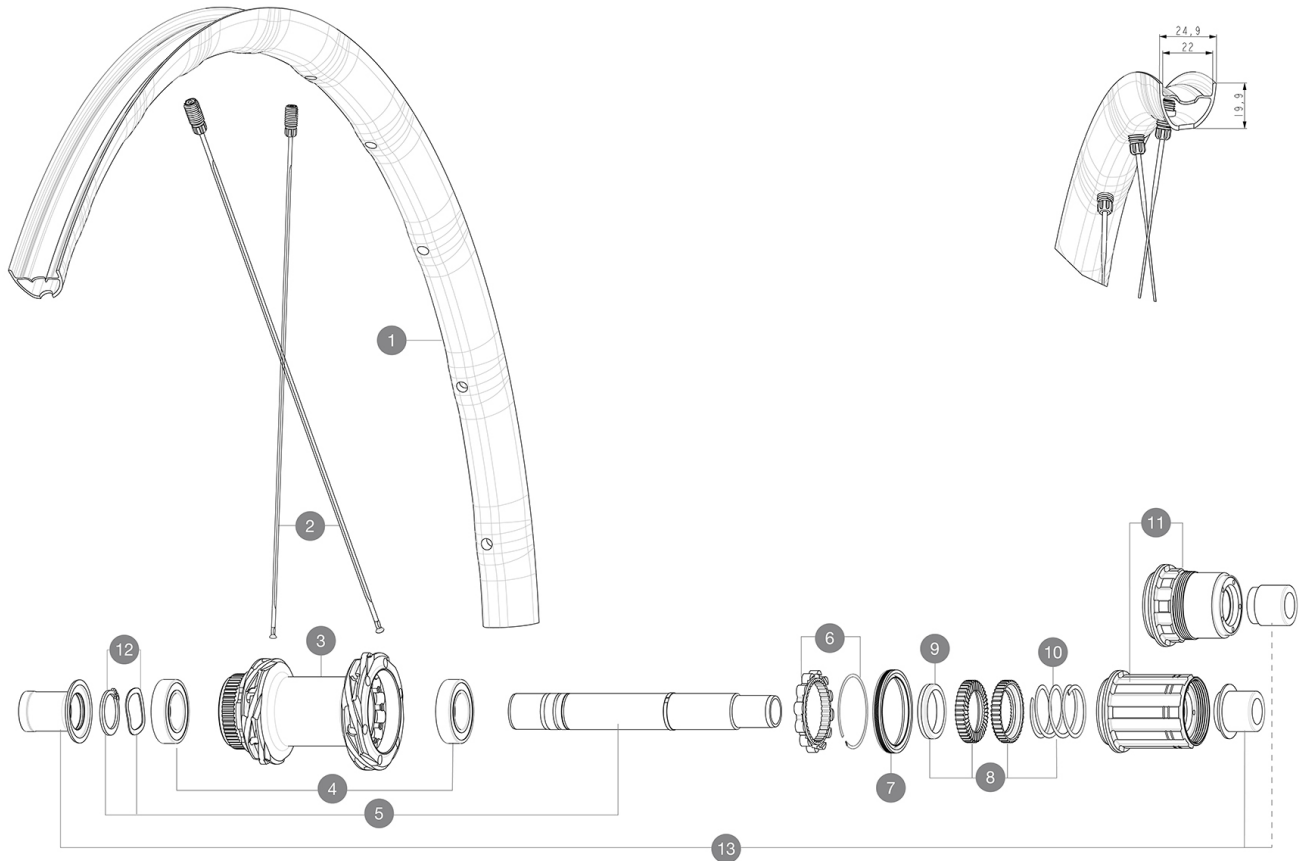
Recommended tyre sizes: 25 to 32 mm

Max. Pressure: see indication on wheel and tyre. If they differ, use the lowest of the 2

**REFERENCES WHEELS**

R36881 Allroad SL DCL Rr

R39131 Allroad SL DCL Rr XDR

**RIMS**

&amp;NBSP;:

1	LV4092000	Kit Front/Rear rim Allroad SL
---	-----------	-------------------------------

**SPOKES**

2	LV4162500	Kit 12 Front/Rear Allroad SL aero spoke 298 M7/7
---	-----------	--------------------------------------------------

**HUB SHELLS**

3	N/A	HUB BODY
4	LM4007600	HUB BEARINGS 17x30x7 6903 x 2
5	LV2373400	KIT ID360 135/142 DCL L1 AXLE WITH CLIP
6	LV2252700	KIT ID360 INSERT SHAPED EAR LOBE > 2017
7	LV2251600	KIT ID360 SEAL + GREASE
8	LV2251700	KIT ID360 2 RATCHETS + SPRING + GREASE
9	LV2500500	KIT ID360 3 PADS NOISE REDUCING
10	LV2251800	KIT 3 ID360 ROAD SPRINGS
11	LV3430100	HG11 Freewheel Body ID360
11	LV2580100	FREEHUB BODY XD Road ID360
12	LV2373000	KIT ADJUST. SYSTEM QRM AUTO ID360 for 17x30x7 bearing
13	LV2510700	ID360V2RrAxleAdapt12x142/148

**DELIVERED WITH**

UST valve and accessories (129 838 01)	
User guide	

**COMPATIBILITY**

Freewheel: Shimano/Sram, convertible to Campagnolo and XD-R with optional driver bodies	
Front axle: 12mm thru axle, easily convertible to quick release with included adapters. Convertible to 15mm with complete axle replacement	
Rear axle: 12mm thru axle, convertible to Quick Release with optional adapters	

**Specifications**
**RIMS**

- **Material** : Mxstal
  - **Height** : 22 mm
- Disc brake specific profile
- **Weight reduction** : ISM 4D
  - **Tire** : UST Tubeless and tubetype
  - **Internal width** : 22 mm
  - **ETRTO size** : 622x22TSS ROAD
- Hookless profile  
Fore  
UST  
SUP

**SPOKES**

- **Material** : steel
- **Shape** : straight pull, elliptical aero, double butted (patented)
- **Nipples** : Fore integrated aluminum
- **Count** : 24 front and rear
- **Lacing** : front and rear crossed 2, contactless

**WHEEL HUB**

- **Front and rear bodies** : aluminum
  - **Axle material** : aluminum
  - **Front** : Quick release, 12x100 and 15x100 through axle compatible
  - **Rear** : Quick Release, 12x142 and 12x135 compatible
- Infinity Hub  
Instant Drive 360  
QRM Auto

**VERSIONS**

- **Disc standard** : Center Lock (R) only
- **Freewheel** : Shimano/Sram or XD-Road

**WHEEL WEIGHTS**

850