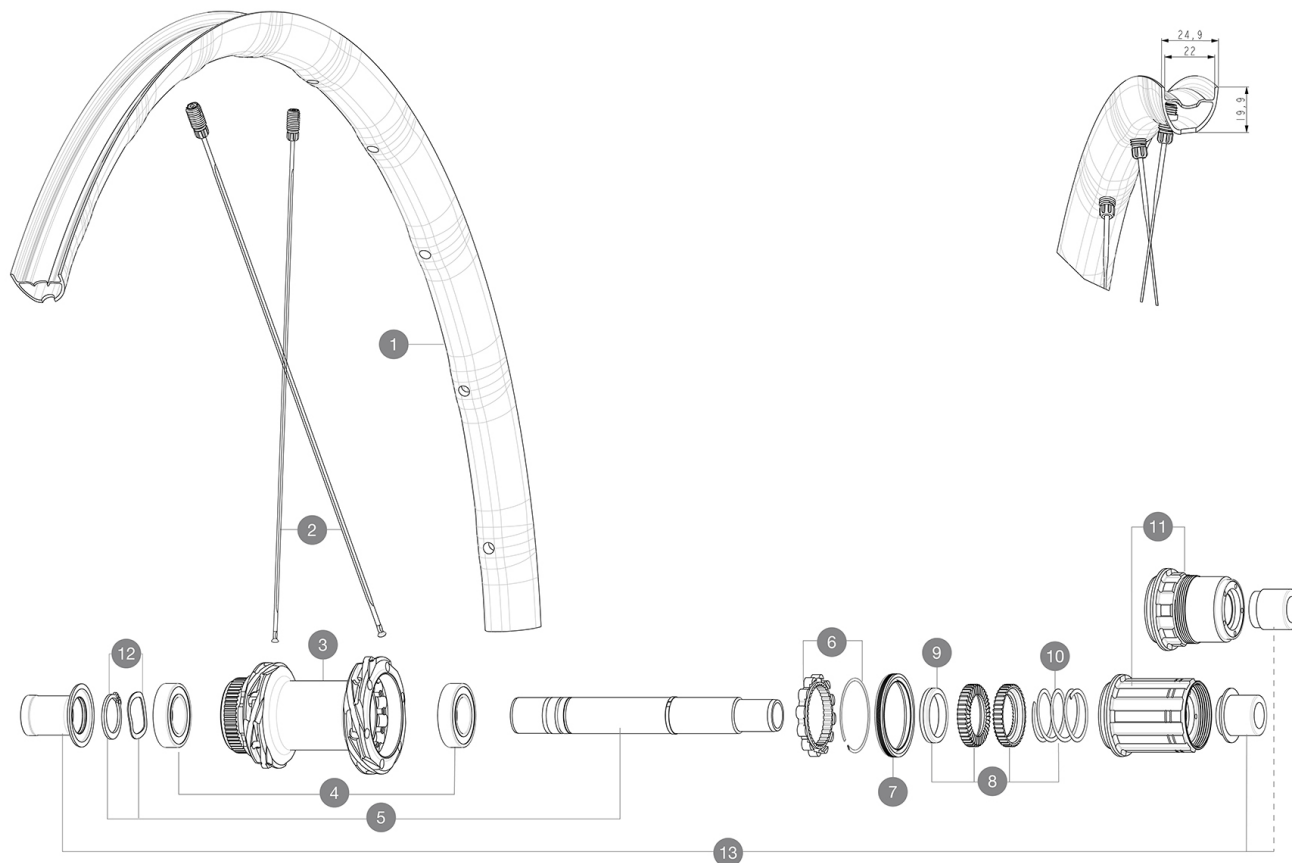


ASTM CATEGORY 2 : road and offroad with jumps less than 15cm
 For a longer longevity of the wheel, Mavic recommends that the total weight supported by the wheels doesn't exceed 120kg, bike included
 Recommended tyre sizes: 25 to 32 mm
 Max. Pressure: see indication on wheel and tyre. If they differ, use the lowest of the 2

REFERENZE RUOTE

R36881	Allroad SL DCL Rr	R39131	Allroad SL DCL Rr XDR
--------	-------------------	--------	-----------------------



RIMS



&NBSP;:

1	LV4092000	Kit Front/Rear rim Allroad SL
---	-----------	-------------------------------

SPOKES

2	LV4162500	Kit 12 Front/Rear Allroad SL aero spoke 298 M7/7
---	-----------	--

HUB SHELLS

3	N/A	CORPO MOZZO
4	LM4007600	HUB BEARINGS 17x30x7 6903 x 2
5	LV2373400	KIT ID360 135/142 DCL L1 AXLE WITH CLIP
6	LV2252700	KIT ID360 INSERT SHAPED EAR LOBE > 2017
7	LV2251600	ID360 SEAL + GREASE
8	LV2251700	ID360 2 RATCHETS + SPRING + GREASE
9	LV2500500	Kit 3 ID360 pad for noise reduction
10	LV2251800	KIT 3 ID360 ROAD SPRINGS
11	LV3430100	HG11 Freewheel Body ID360
11	LV2580100	FREEHUB BODY XD Road ID360
12	LV2373000	KIT ADJUST. SYSTEM QRM AUTO ID360 for 17x30x7 bearing
13	LV2510700	ID360 EVO REAR AXLE ADAPTERS 12x142mm DCL & D6T

VENDUTO CON

UST valve and accessories (129 838 01)	
User guide	

COMPATIBILITY

Freewheel: Shimano/Sram, convertible to Campagnolo and XD-R with optional driver bodies	
Front axle: 12mm thru axle, easily convertible to quick release with included adapters. Convertible to 15mm with complete axle replacement	
Rear axle: 12mm thru axle, convertible to Quick Release with optional adapters	

Specifications

CERCHIONI

- **Material** : Maxtal
 - **Height** : 22 mm
- Disc brake specific profile
- **Weight reduction** : ISM 4D
 - **Tire** : UST Tubeless and tubetype
 - **Internal width** : 22 mm
 - **ETRTO size** : 622x22TSS ROAD
- Hookless profile
Fore
UST
SUP

RAGGI

- **Material** : steel
- **Shape** : straight pull, elliptical aero, double butted (patented)
- **Nipples** : Fore integrated aluminum
- **Count** : 24 front and rear
- **Lacing** : front and rear crossed 2, contactless

MOZZO

- **Front and rear bodies** : aluminum
 - **Axle material** : aluminum
 - **Front** : Quick release, 12x100 and 15x100 through axle compatible
 - **Rear** : Quick Release, 12x142 and 12x135 compatible
- Infinity Hub
Instant Drive 360
QRM Auto

VERSIONS

- **Disc standard** : Center Lock (R) only
- **Freewheel** : Shimano/Sram or XD-Road

PESI RUOTE

850