

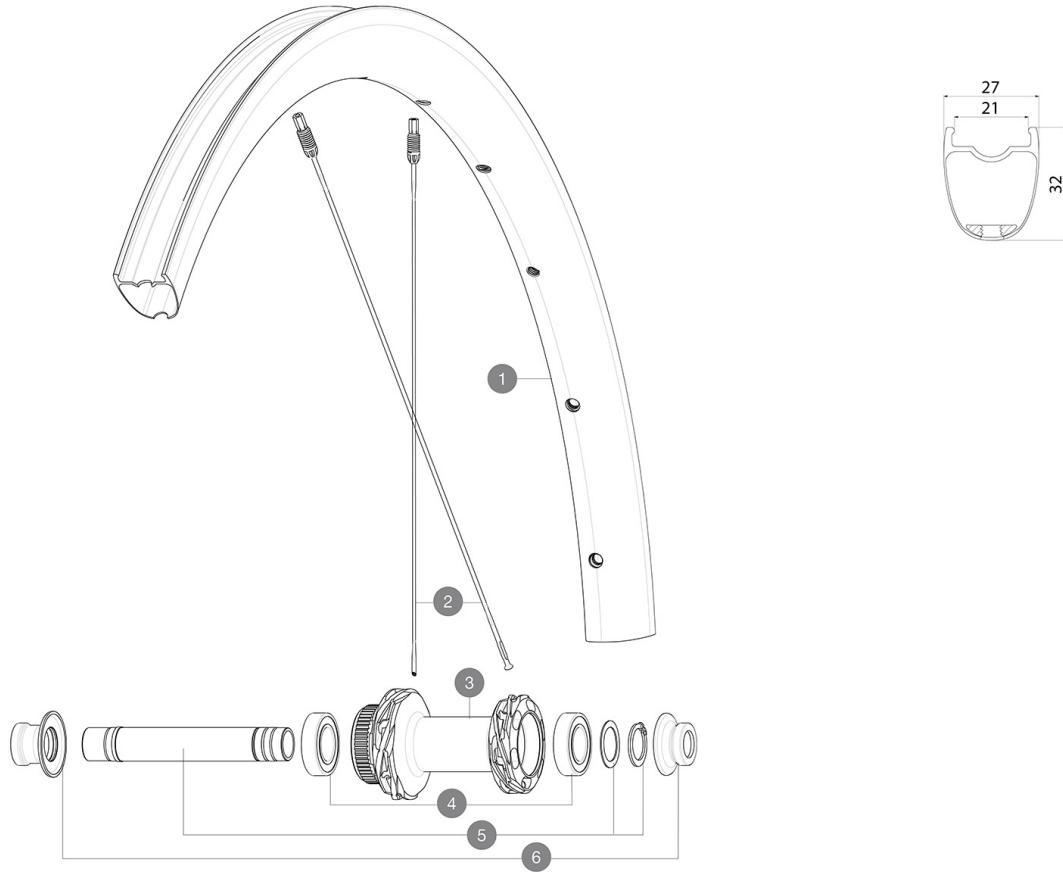
MAVIC *Cosmic SLR 32 Disc*

ASTM CATEGORY 2 : road and offroad with jumps less than 15cm

For a longer longevity of the wheel, Mavic recommends that the total weight supported by the wheels doesn't exceed 120kg, bike included

Recommended tyre sizes: 25 to 32 mm

Max. Pressure: see indication on wheel and tyre. If they differ, use the lowest of the 2

REFERENCES WHEELS**RIMS**

&NBSP;:

1 LV4094600 Kit Front/Rear rim Cosmic SLR 32 Disc

SPOKES

2 LV4164800 Kit 12 CosmicSLR32 Disc aero sspk M6 291

HUB SHELLS

3	N/A	HUB BODY
4	LM4012900	KIT 2 BEARINGS 6902 15x28x7
5	LV2373300	KIT QRM AUTO FRONT AXLE 12mm > 2019
6	LV2374700	KIT FRONT ROAD FORK REST 12mm FOR J BENT DISC HUB

MAVIC Cosmic SLR 32 Disc

2021
FRONT

DELIVERED WITH

UST valve and accessories (129 838 01)	
User guide	

COMPATIBILITY

Freewheel: Shimano/Sram, convertible to Campagnolo and XD-R with optional driver bodies	
Front axle: 12x100 thru axle, easily convertible to quick release with included adapters. Not compatible with 15mm through axles.	
Rear axle: 12mm thru axle, convertible to Quick Release with optional adapters	

Specifications

RIMS

- **Material** : 100% carbon fiber
 - **Height** : 32mm
- Disc brake specific profile
- **Tire** : UST Tubeless and tubetype
 - **Internal width** : 21 mm
 - **ETRTO size** : 622x21TC ROAD

Fore Carbon

UST

SPOKES

- **Material** : steel
- **Shape** : straight pull, elliptical aero, double butted (patented)
- **Nipples** : Fore integrated aluminum
- **Count** : 24 front and rear
- **Lacing** : front and rear crossed 2, contactless

WHEEL HUB

- **Front and rear bodies** : aluminum
 - **Axle material** : aluminum
 - **Front** : Quick release and 12x100 through axle compatible
 - **Rear** : Quick Release, 12x142 and 12x135 compatible
- Infinity Hub
Instant Drive 360
QRM Auto

VERSIONS

- **Disc standard** : Center Lock (R) only
- **Freewheel** : Shimano/Sram or XD-Road

WHEEL WEIGHTS

640