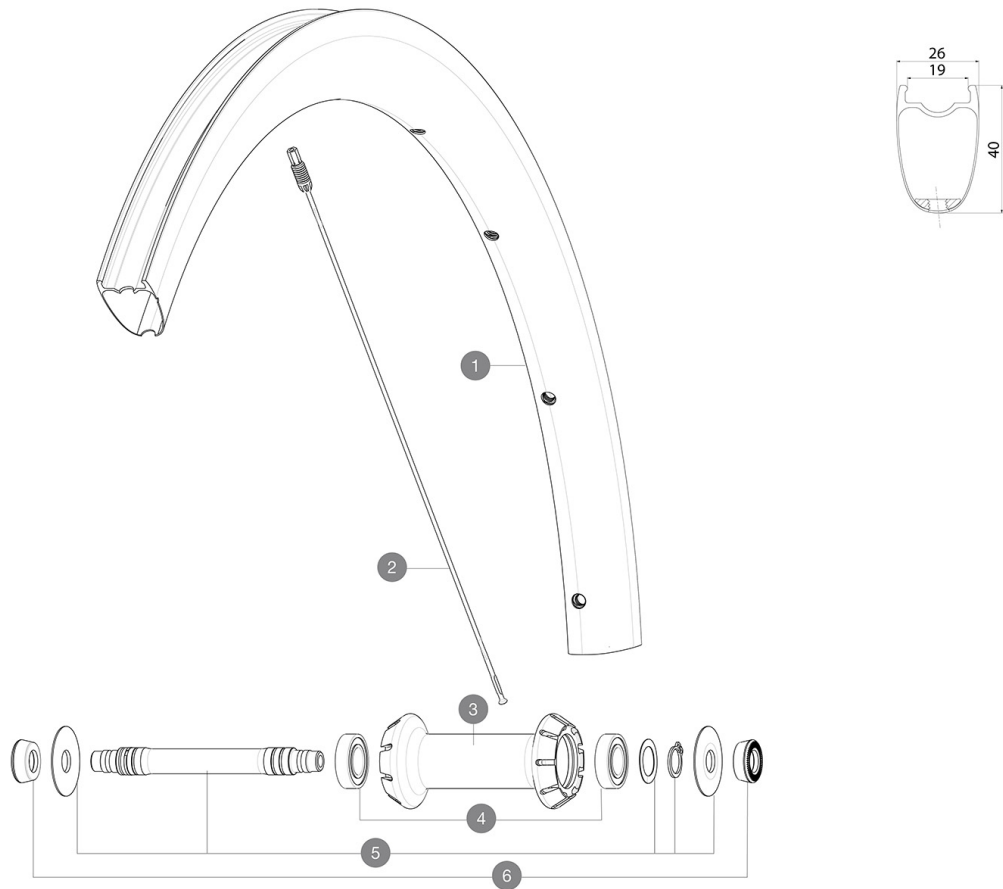


ASTM CATEGORY 1 : road only

REFERENZEN RÄDER



RIMS



&NBSP;:

1 LV4094700 Kit Front rim Cosmic SLR 40 RB

SPOKES

2 LV3669500 Kit 9 Ft Cosmic SLR40 aero ss spk 277 M6

HUB SHELLS

3	N/A	NABENKÖRPER
4	LM4007800	FRONT HUB 6901 BEARINGS
5	LV2375800	Kit front axle RB for QRM auto hub + hoobster + wave washer
6	L35117300	FRONT OR REAR FORK REST KIT R-SYS 2013

MAVIC Cosmic SLR 40

GELIEFERT MIT

BR601 Titanium quick releases (323 485 01 frt, 323 486 01 rear)	
Carbon brake pads (V24 603 01 Shimano/Sram, V24 604 01 Campagnolo)	
UST valve and accessories (129 838 01)	
User guide	

COMPATIBILITY

Freewheel: Shimano/Sram, convertible to Campagnolo and XD-R with optional driver bodies	
-----------------------------------------------------------------------------------------	--

Specifications

FELGEN

- **Material** : 100% carbon fiber
- **Height** : 40 mm
- **Valve hole diameter** : 6.5 mm
- **Tire** : UST Tubeless and tubetype
- **Internal width** : 19 mm
- **ETRTO size** : 622x19TC Road
Fore Carbon
UST Tubeless Ready

SPEICHEN

- **Material** : steel
- **Shape** : straight pull, elliptical aero, double butted (patented)
- **Nipples** : Fore integrated aluminum
- **Count** : front 18, rear 20
- **Lacing** : front radial, rear Isopulse
Isopulse

RADNABE

- **Front and rear bodies** : aluminum
- **Axle material** : aluminum
Infinity Hub
Instant Drive 360
QRM Auto

VERSIONS

- **Freewheel** : Shimano/Sram

RADGEWICHTE

640