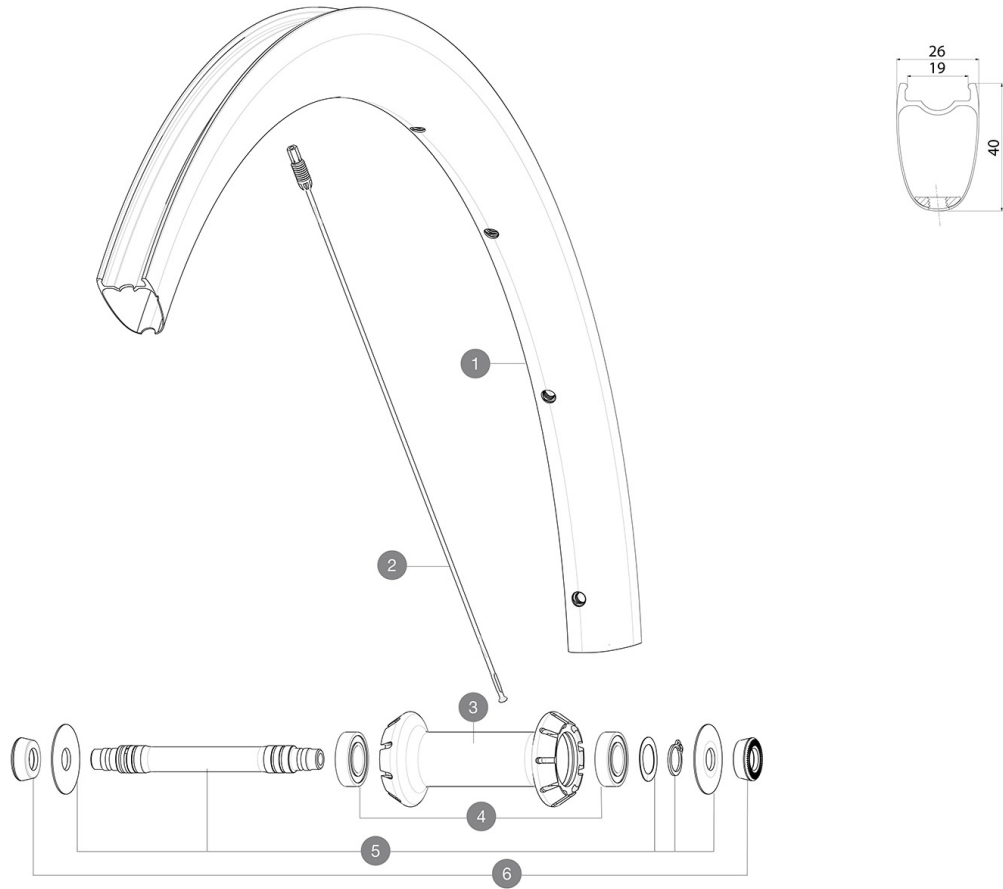


ASTM CATEGORY 1 : road only

**REFERENCES WHEELS**



**RIMS**



&NBSP;:

<b>1</b>	LV4094700	Kit Front rim Cosmic SLR 40 RB
----------	-----------	--------------------------------

**SPOKES**

<b>2</b>	LV3669500	Kit 9 Ft Cosmic SLR40 aero ss spk 277 M6
----------	-----------	--

**HUB SHELLS**

<b>3</b>	N/A	HUB BODY
<b>4</b>	LM4007800	FRONT HUB BEARINGS 6901 x 2
<b>5</b>	LV2375800	Kit front axle RB for QRM auto hub + hoobster + wave washer
<b>6</b>	L35117300	FT/RR FORK REST R-SYS/CC ULTIMATE > 2013/KSY PRO CARB T

**MAVIC** *Cosmic SLR 40***DELIVERED WITH**

BR601 Titanium quick releases (323 485 01 frt, 323 486 01 rear)	
Carbon brake pads (V24 603 01 Shimano/Sram, V24 604 01 Campagnolo)	
UST valve and accessories (129 838 01)	
User guide	

**COMPATIBILITY**

Freewheel: Shimano/Sram, convertible to Campagnolo and XD-R with optional driver bodies	
---	--

**Specifications****RIMS**

- **Material** : 100% carbon fiber
- **Height** : 40 mm
- **Valve hole diameter** : 6.5 mm
- **Tire** : UST Tubeless and tubetype
- **Internal width** : 19 mm
- **ETRTO size** : 622x19TC Road Fore Carbon UST Tubeless Ready

**SPOKES**

- **Material** : steel
- **Shape** : straight pull, elliptical aero, double butted (patented)
- **Nipples** : Fore integrated aluminum
- **Count** : front 18, rear 20
- **Lacing** : front radial, rear Isopulse Isopulse

**WHEEL HUB**

- **Front and rear bodies** : aluminum
- **Axle material** : aluminum
- Infinity Hub
- Instant Drive 360
- QRM Auto

**VERSIONS**

- **Freewheel** : Shimano/Sram

**WHEEL WEIGHTS**

640