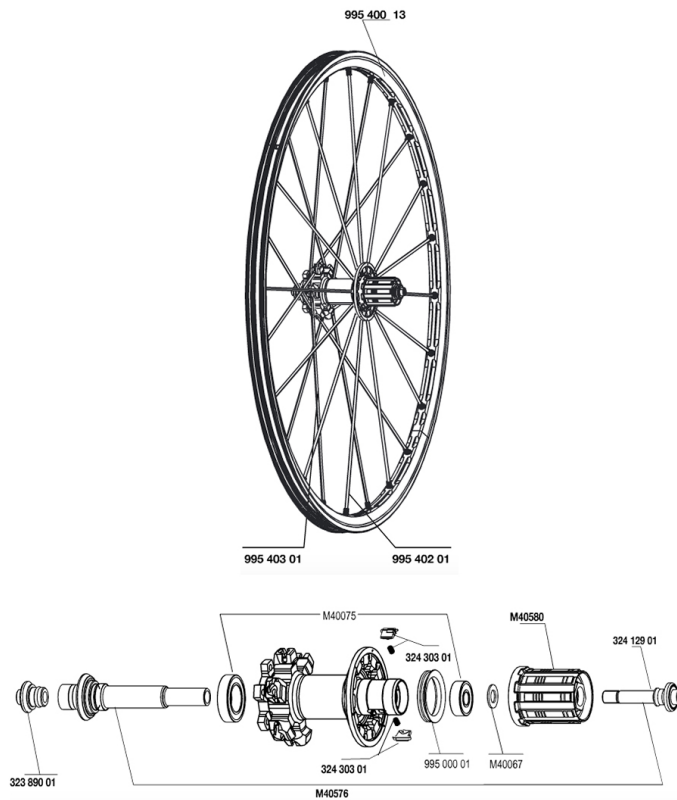


REFERENCES WHEELS



MAVIC *CROSSMAX ST DISC*

Specifications

WHEEL WEIGHTS